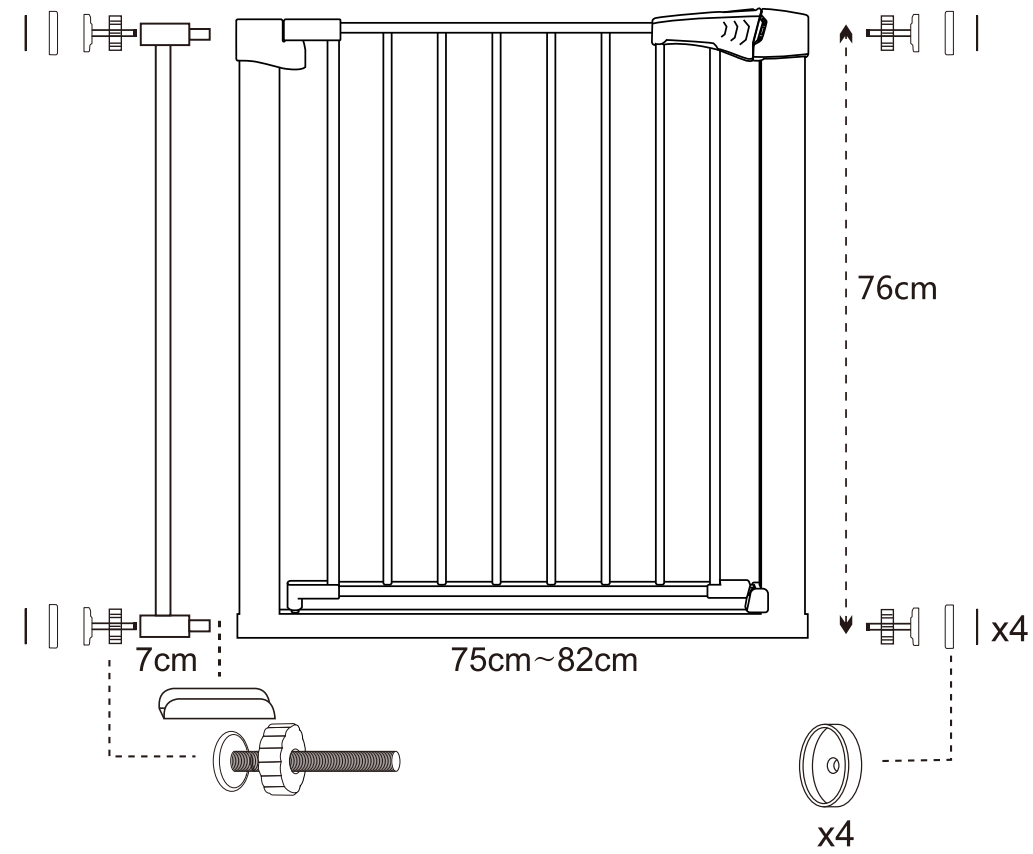
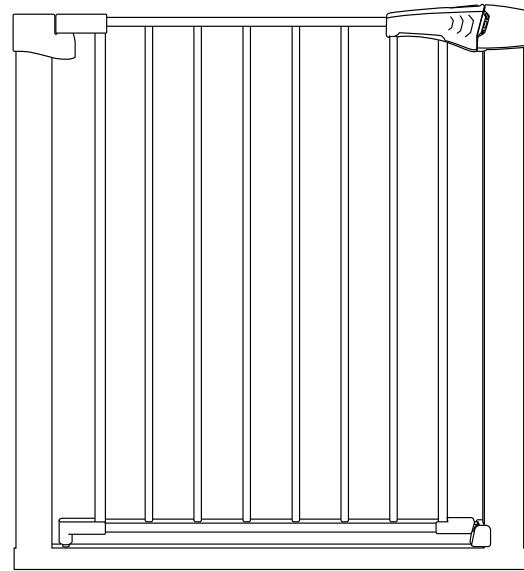
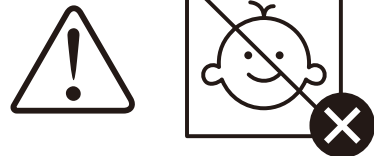


# MANUAL



- x6
- x6
- x1



**A** ① → ② → ③ → ④ → ⑤

**B** ① → ② → ⑥ → ⑦ → ③ → ④ → ⑤

① → ② → ③ → ④ → ⑤

① → ② → ⑥ → ⑦ → ③ → ④ → ⑤

75cm~82cm 7cm

2

