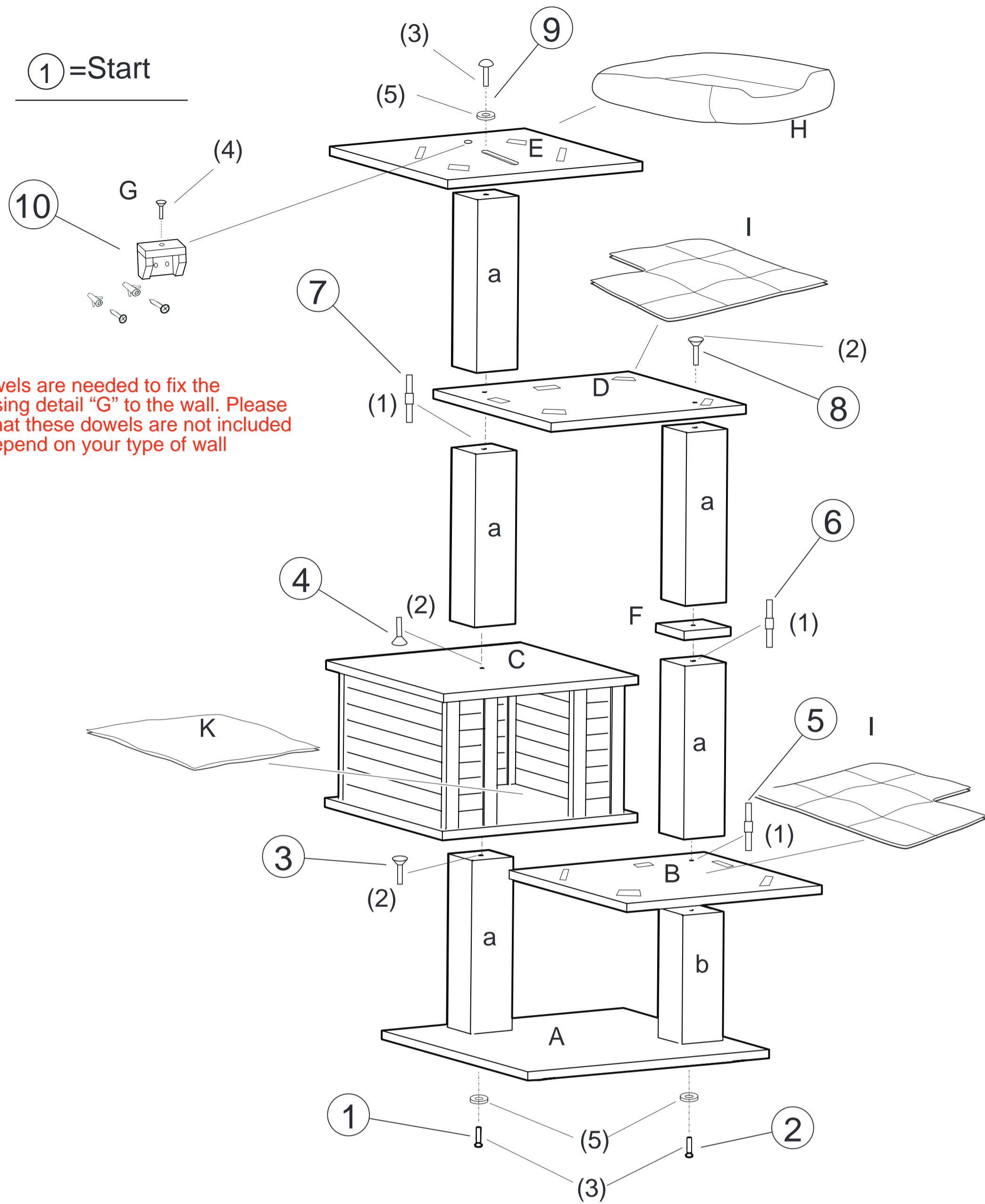
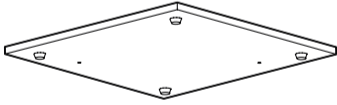
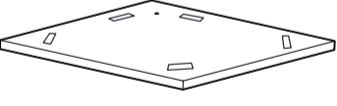
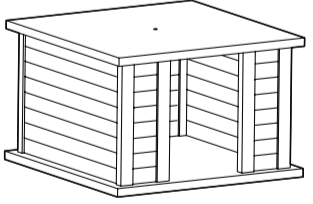
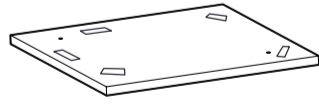
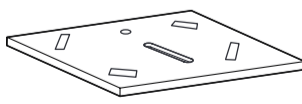
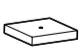
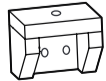

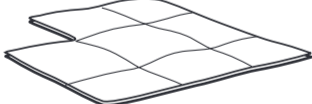

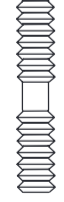
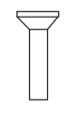





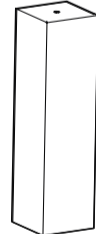
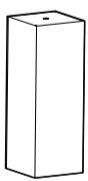
① = Start

2x dowels are needed to fix the tree using detail "G" to the wall. Please note that these dowels are not included and depend on your type of wall



- 1X  A
- 1X  B
- 1X  C
- 1X  D
- 1X  E
- 1X  F
- 1X  G

- 1X  H
- 2X  I
- 1X  K
- 3X  M8\*70mm (1)
- 3X  M8\*35mm (2)
- 3X  M8\*50mm (3)
- 1X  M8\*35mm (4)
- 3X  D30mm (5)

- 5X  a(35,5cm)
- 1X  b(26,4cm)



LA 75552

Made in Georgia