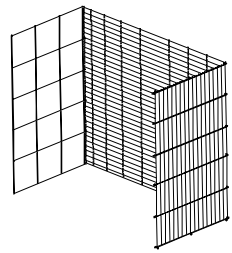
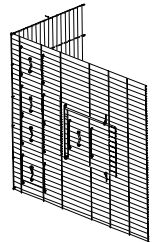


# D611 Assembly Instructions

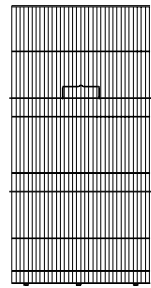
## Components



A<sub>1</sub>=Back body x1



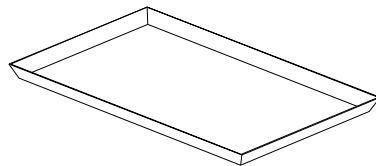
A<sub>2</sub>=Front body x1



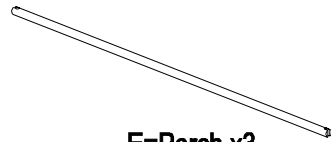
B=Side grill x2



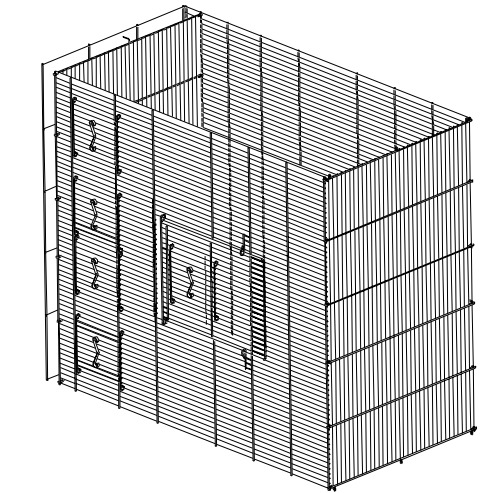
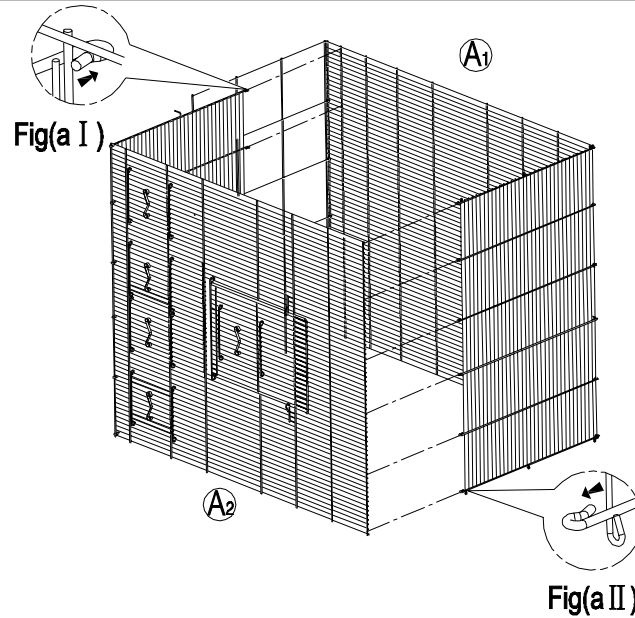
C=Feeder x4



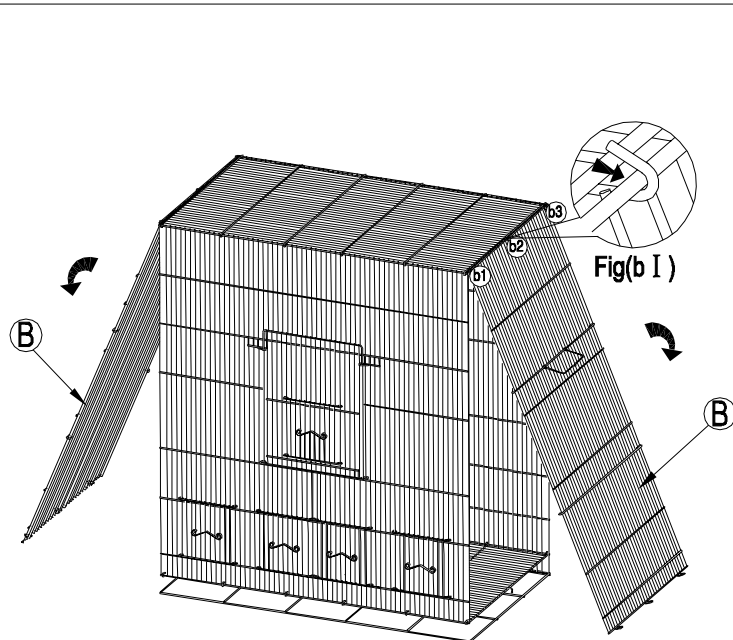
D=Tray x1



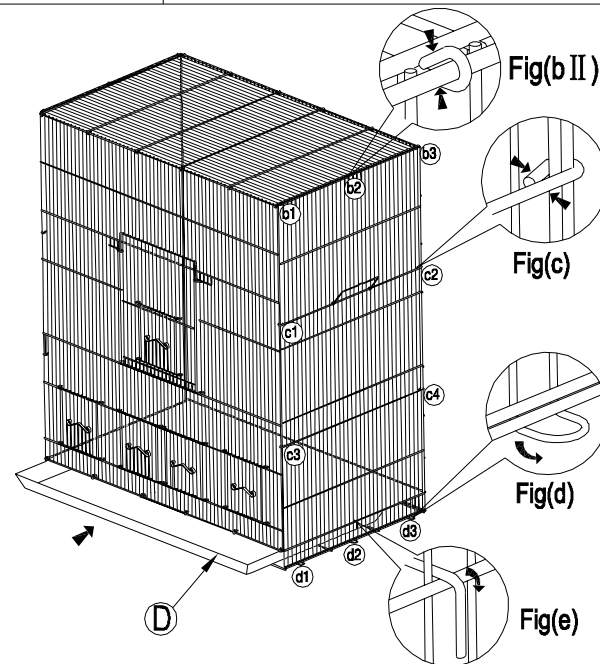
E=Perch x3



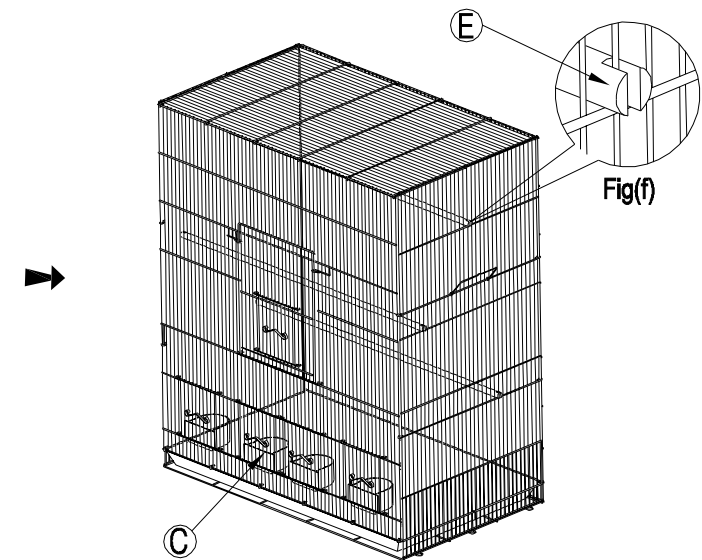
Step 1. Assemble back body(A<sub>1</sub>) with front body (A<sub>2</sub>) by connection hooks as shown.



Step 2. Attach side grills(B) onto top edge hooks of body(A<sub>1</sub>,A<sub>2</sub>) as Fig(b).



Step 3. Make sure bottom grill locate well as Fig(e); Assemble connection hooks at location(b,c,d) successively as Fig(b,c,d).



Step 4. Insert tray(D) and attach perches(E), feeders(C) onto body.